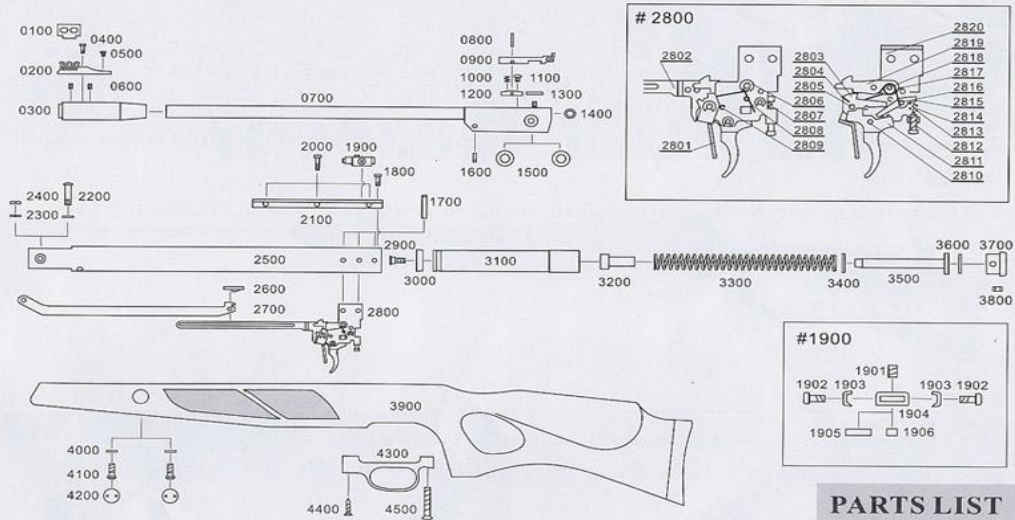
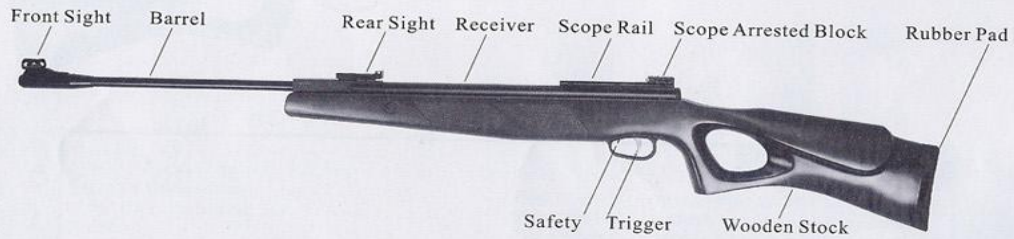


SAG AR2000 Jet



PARTS LIST

- 0100 Sight Circle
- 0200 Front sight with Fiber
- 0300 Front Sight Plate
- 0400 Front Sight Screw L
- 0500 Front Sight Screw S
- 0600 Screw M4x5 (2 pcs)
- 0700 Barrel Assembly
- 0800 Scale Pin
- 0900 Scale Plate Assembly
- 1000 Scale Spring
- 1100 Screw M4x5
- 1200 Scale base
- 1300 Elevation Adjustment
- 1400 O Ring
- 1500 Washer (2 pcs)
- 1600 Cocking lever pin
- 1700 Pin (3 pcs)
- 1800 Screw M4x10
- 1900 Scope Arrested Block
- 2000 Screw M3x16 (3 pcs)
- 2100 Scope Rail
- 2200 Connecting Screw
- 2300 Connecting Screw Washer (2 pcs)

- 2400 Nut
- 2500 Receiver
- 2600 Block
- 2700 Cocking Lever Assembly
- 2800 Trigger assembly
- 2900 Screw
- 3000 Piston Seal
- 3100 Piston Tube Assembly
- 3200 Front spring tube
- 3300 Piston Spring
- 3400 Washer
- 3500 Back spring tube
- 3600 Washer
- 3700 Receiver cap
- 3800 Nut M6
- 3900 Wooden Stock
- 4000 Guard (2 pcs)
- 4100 Screw (2 pcs)
- 4200 Hole Cap (2 pcs)
- 4300 Trigger Guard
- 4400 Screw
- 4500 Screw M6x40
- 1901 Screw M5x8
- 1902 Screw M4x10 (2 Pcs)

- 1903 Clips (2 pcs)
- 1904 Base
- 1905 Buffer
- 1906 Nut
- 2801 Safety Lever
- 2802 Safety Lever Assembly
- 2803 Lever
- 2804 Lever Spring
- 2805 Lever Pin
- 2806 Clip 3 (4 pcs)
- 2807 Clip 2.5 (4 pcs)
- 2808 Safety Spring
- 2809 Pin (2 pcs)
- 2810 Trigger shaft
- 2811 Trigger
- 2812 Adjusting Screw
- 2813 Outer Spring
- 2814 Inner Spring
- 2815 Lock block
- 2816 Lock block shaft
- 2817 Sear Spring
- 2818 Sear Shaft
- 2819 Sear
- 2820 Trigger place